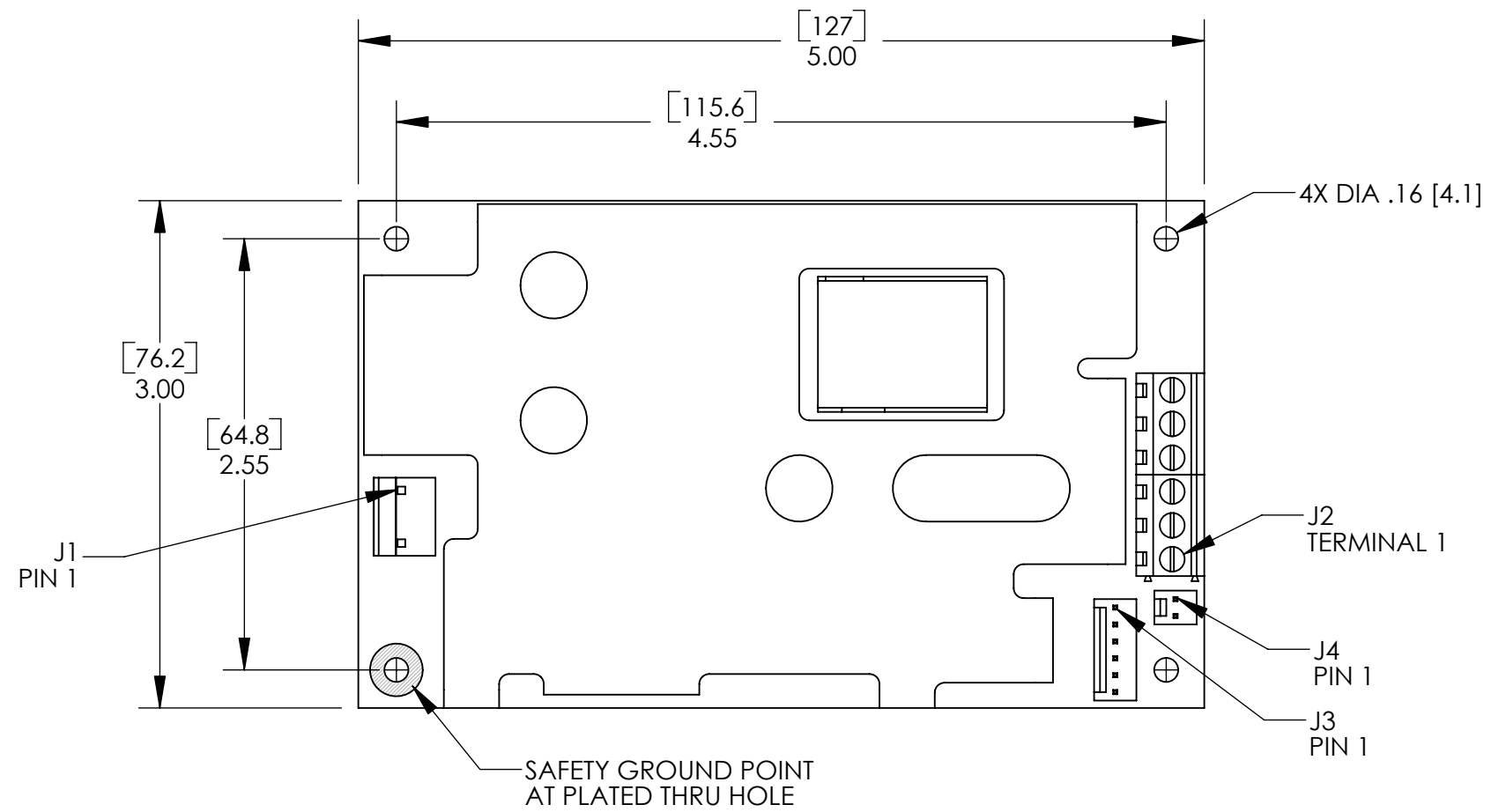
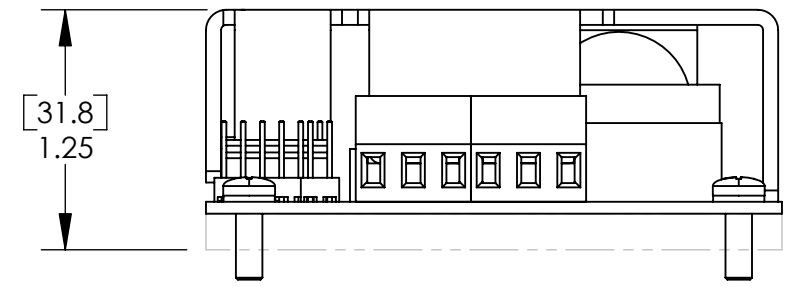
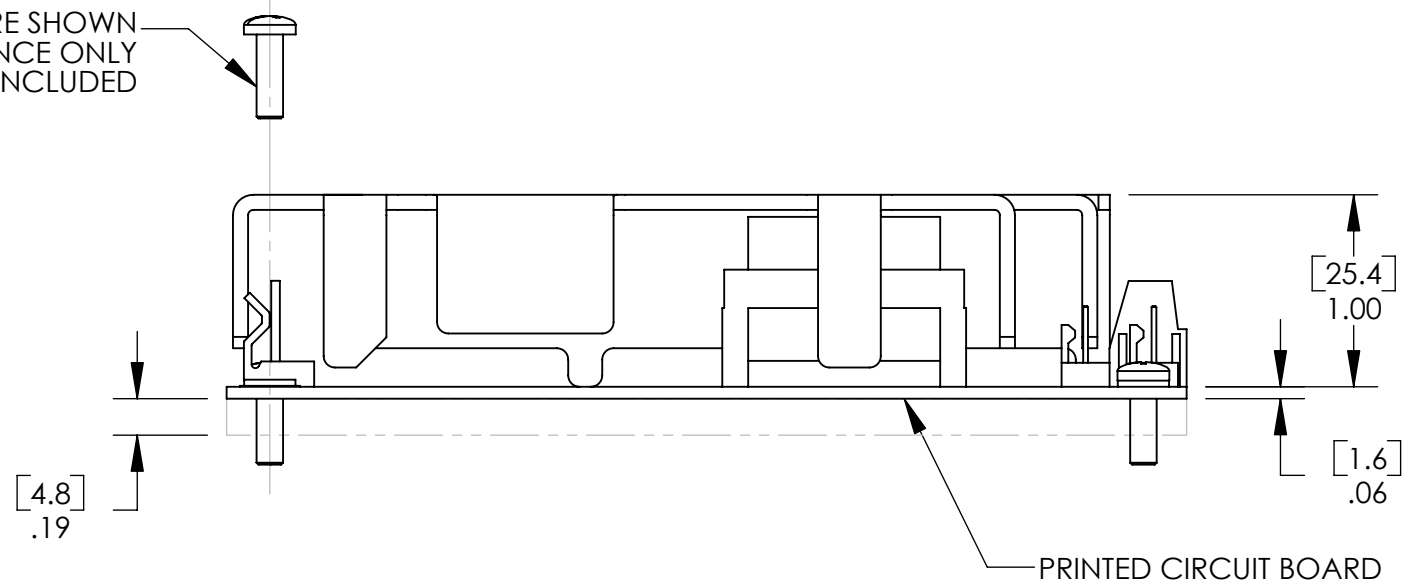


— XL160-1,7,8 —
 (DIMENSIONS IN [] ARE IN MILLIMETERS)

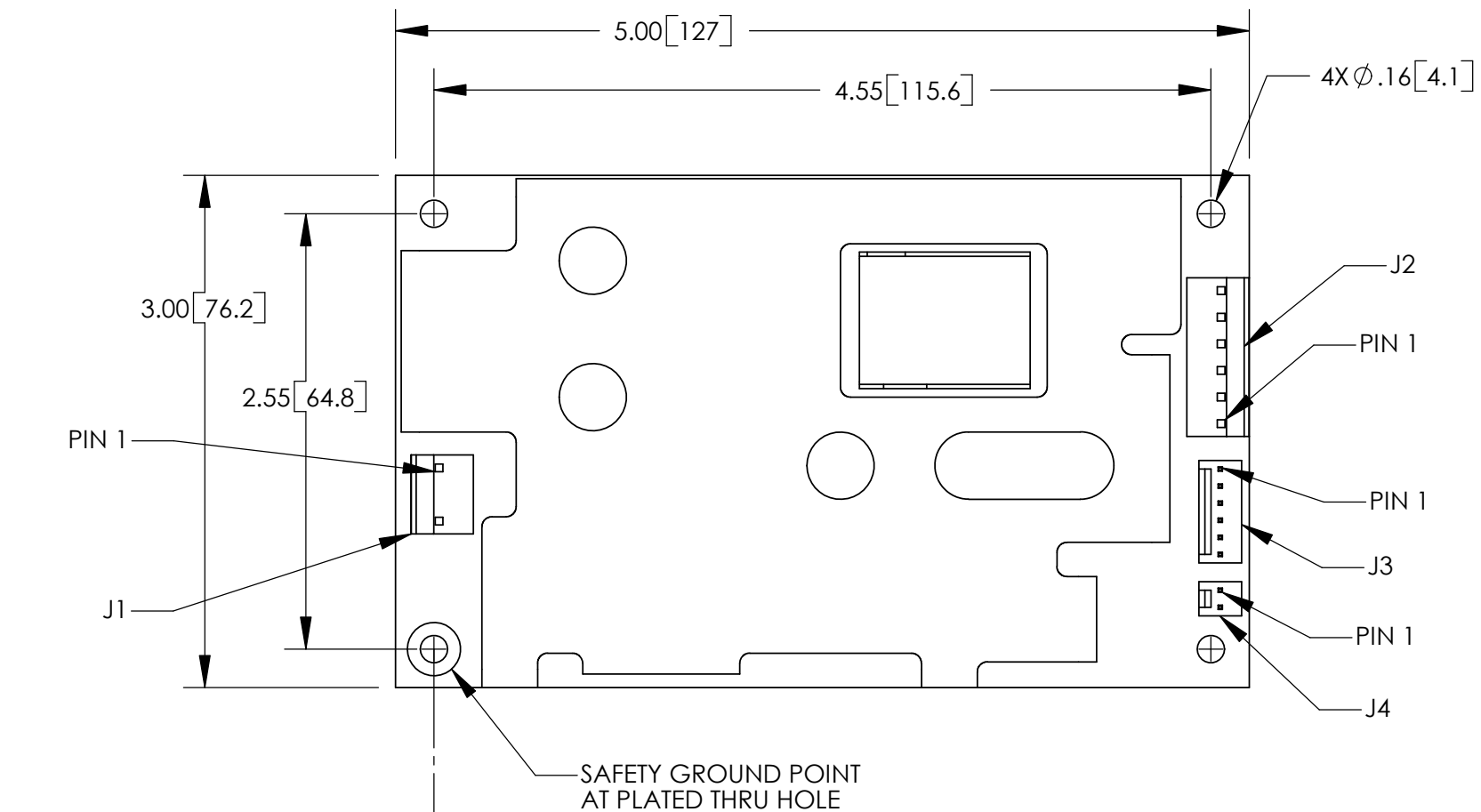


HARDWARE SHOWN FOR REFERENCE ONLY NOT INCLUDED

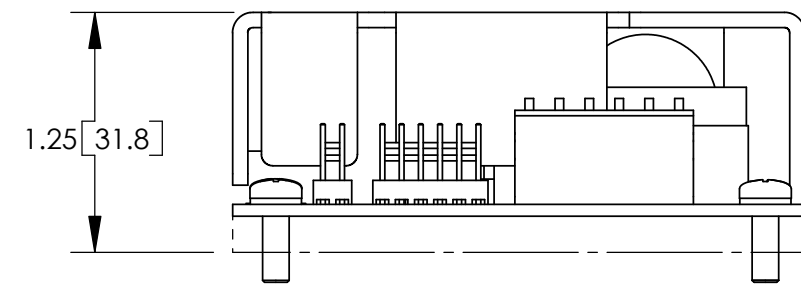
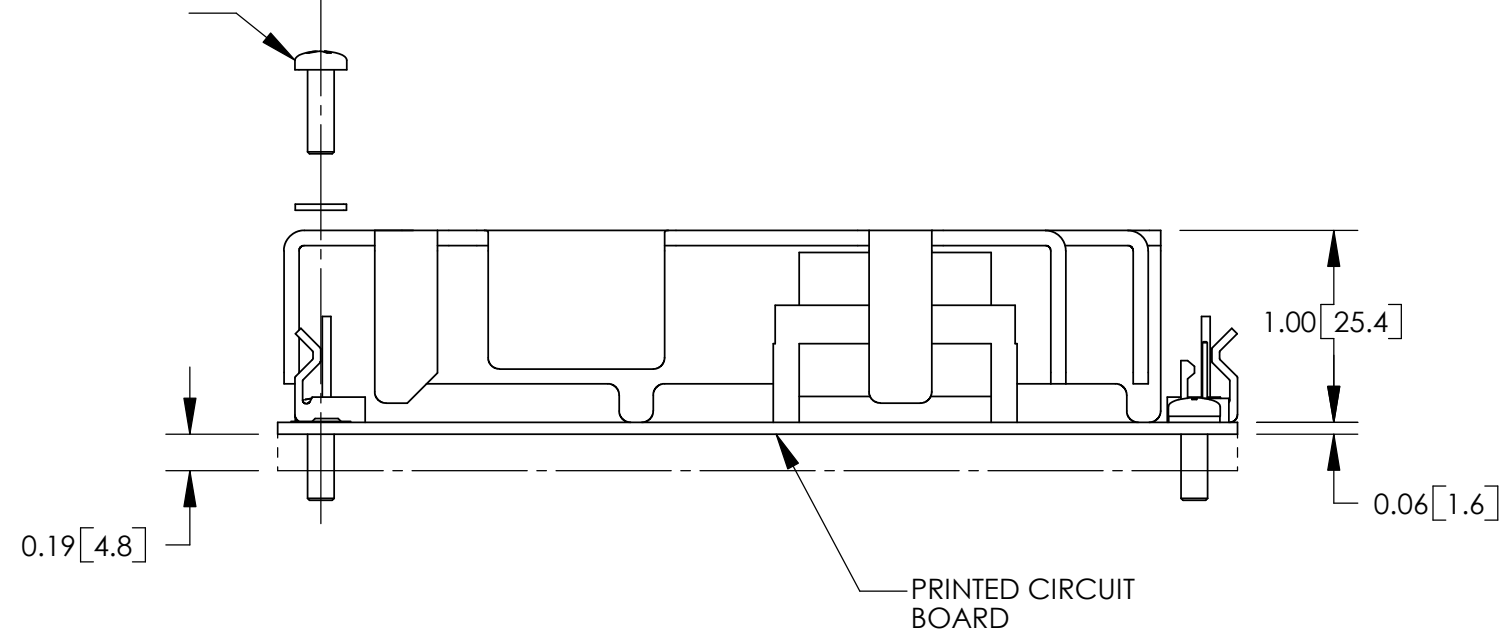


XL160 -2

DIMENSIONS IN [] ARE IN MILLIMETERS



HARDWARE SHOWN FOR REFERENCE ONLY-NOT INCLUDED



— XL160-3,4,5,6 —

(DIMENSIONS IN [] ARE IN MILLIMETERS)